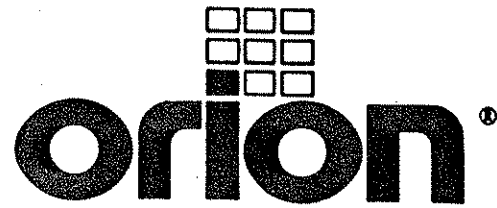


STRETCHWRAPPERS



INSTRUCTION MANUAL

FOR ALL INQUIRIES
PLEASE CONTACT
OUR LOCAL DISTRIBUTOR

FOR U.S. (ONLY)
1-800-333-6556

Thank you for choosing ORION stretch-wrapping equipment. It is a wise choice which will benefit your company now and in the future.

ORION uses a unique combination of functional, rugged steel structure and sophisticated control systems to offer equipment high in durability and low in maintenance requirements. Our advanced control systems mean that ORION equipment can be operated safely and efficiently without the need for special operator expertise.

Please read this manual carefully and keep it handy. Following these simple operating instructions will insure the safe and efficient performance of this machine while simple maintenance procedures will guarantee a long and productive life of the equipment.

NOTICE:

Our manual covers standard features of the machine. Certain options may not be fully covered due to their unique application.

In order to acquire more information about custom made features of your machine and to provide quicker service, the following information is required when making an inquiry:

7 0 6 7 2 8 8

- 1) MODEL**
- 2) SERIAL NUMBER**
- 3) SUBASSEMBLY (see PART LIST)**

7 0 6 7 2 8 7

*H/L77-12
Dwg. # 301 265*

SAFETY:

ORION'S stretch wrappers should be operated with caution and common sense as any other industrial equipment. To prevent injury and / or electrical shock, careful operation of the machine and awareness of its many automatic functions is required.

Note: All electrical power and compressed air must be disconnected prior to performing any inspection, maintenance or repair work.

ORION PACKAGING INC.

Orion Packaging Inc.
Semi - Automatic Machines Version -12 Specifications and Options List
Effective, December 9, 1996 (Revised: December 19, 1996)

ORION "EPIC" SERIES MODEL L-77S

7067287

Spiral Semi-Automatic Medium Duty Low Profile w/ Surrounding Steel Deck Frame

7067288

Maximum Load Size	55"W x 55"L x 84"H
Weight Capacity	3,500 lbs. Dynamic, 15,000 lbs. Static
Utilities	115/1/60 15 Amp Service
Turntable	59" Diameter Structural Steel Plate Quiet , Non-Lubricating, Phenolic Caster Support System 3" Height Floor to Top of Turntable
Turntable Drive	0-12 RPM Variable Turntable Speed DC Variable Speed Drive Motor Direct, Heavy Duty Chain Drive with Tensioner Electronic Soft Start Positive Alignment Feature
Control Features	CSA Approved, NEMA 12 Control Panel User Friendly Microprocessor Control with Microswitched Keypad Separate Top and Bottom Wrap Count Selectors with LED Wraps Count Display (1 - 7 Wraps) Revologic® Exact Top and Bottom Wrap Counting Logic Electronic Film Tension Control Adjustment on the Panel End of Cycle Film Force Release Variable Single Speed Film Carriage Up/Down Control Film Carriage Raise/Lower Separate Control (Manual) Photocell for Automatic Load Height Detection Turntable Jog Pushbutton NOTE: No Additional Control Features are Available for this Model.
Film Delivery	20" Orion OmniStretch Power Prestretch Easy to Thread Film Carriage Electronic Film Tension Control Adjustment on the Panel Full Authority Film Dancer Bar with Variable Speed Output Heavy Duty ANSI Chain & Sprocket Ratio Control Maximum Available Pre-Stretch Ratio of 425% (Standard Setting of 200%) DC Variable Speed Drive Motor Adjustable Film Roping Bar on Chassis for Stronger Interlocking of Load and Pallet
Film Carriage Elevator Drive	Heavy Duty ANSI Chain Carriage Lift DC Variable Speed Drive Motor Structural "H" Beam Guidance Ultra-High Molecular Weight Carriage Guidance System
Structural Features	100% Structural Steel Construction Throughout Easy Access to All Components Open Mechanical Design for Ease of Maintenance Forklift Portable Base Design Full Steel Surrounding Base Frame Structural Steel "H" Beam Mast
Estimated Shipping Weight	1,500 lbs.

MACHINE UNLOADING INSPECTION & INSTALLATION

UNLOADING

Machine can be easily unloaded and transported by a forklift with a minimum capacity of 2500 lbs.

1. Carefully insert the forks into the lifting tubes to the maximum possible depth. Depending on the model, a forklift access may be either at the turntable end of the machine frame, the tower end or both. In case of the mongoose machine or the conveyor, enter the forks under the frame.
2. Lift the machine (or other part of system) only to the necessary height to move it with no bouncing or friction on the floor.
 - 2a. On the mongoose machines use the brackets welded on the top part of the machine.
3. Sit the machine down assuring uniform contact with the floor which is necessary to ensure correct and smooth operation.
 - 3a. Mongoose type machines (M66, M67) have to be attached on the bracket or on the stand (collapsible or anchored to the floor). The M55 has it's own supporting frame which allows the machine to stand independently.

INSPECTION

1. Remove all packing and supporting additions - these may include the blocks under the carriage and the restraining bar over the table.

NOTE: when removing the stretchwrap film covering the machine, care must be taken not to cut any of the electrical wires and rubber covering on the multistretch rollers.

2. Perform a visual inspection of the electrical and mechanical parts for loosened joints and / or broken connections. Any suspected shipping damage must be reported immediately to the freight carrier.

Items that are vulnerable to damage and must be inspected are as follows:

- motors and transmissions
- junction boxes
- electrical conduits
- proximity and limit switches
- photocells

3. Check under the turntable (H - series models only) to ensure that there is no crippling of the movable parts i.e. casters, center axle or drive assembly.

4. Verify the following:

- turntable or rotary arm drive system to confirm that the reducer to drive the chain is snug and properly aligned
- verify the wires tight conduits for crushed sections or loose fittings
- verify the carriage to be sure that it is correctly aligned with the tower and verify the tension on the lift chain
- verify all the dials and knobs on the control panel for smooth action.

MACHINE INSTALLATION

After the visual inspection has been completed the electrical power and the compressed air may be connected as specified on the diagrams supplied with the machine.

An electrical diagram is provided with each machine in the envelope attached to the panel box.

ASSEMBLY PROCEDURE

The structural frames of the machine have to be installed on a levelled floor. Locate the main wrapper section into its final position, keeping the tower assembly* away from any traffic.

The wrapper mainframe section must be bolted to the floor by the 1/2" concrete floor anchors (leg & shield or expandable type).

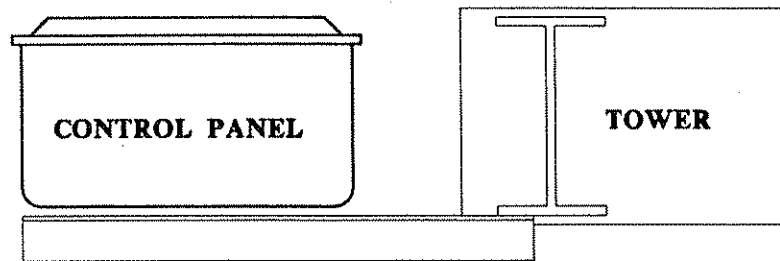
Conveyor sections (where applicable) have to be positioned, levelled** and bolted to the floor. Any wiring which has been disconnected to facilitate transport is marked with a number located on the junction box to which the wiring must be reconnected. It allows identification of the proper position of the infeed and outfeed conveyor sections. Any wire run that appears too short or long may indicate that the position of the mechanical components is incorrect. Verify the status of all assemblies before proceeding.

CAUTION: improper placement and alignment of the conveyor section(s) and/or electric photocells may lead to equipment malfunction and damage.

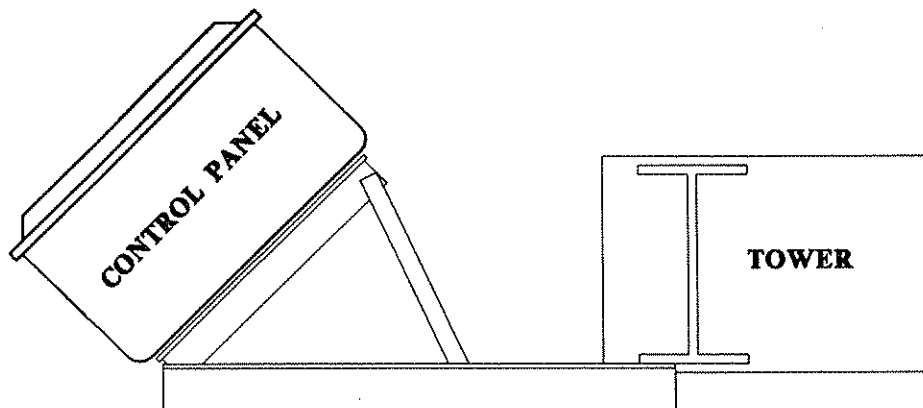
* The tower deviation from vertical must not exceed 1/4" on the distance of 10 feet (angle: 0 degrees 6').

** In the case of the conveyors, the roller deviation from the horizontal must not exceed 1/16 "on the distance 52" (angle: 0 degrees 4').

In order to facilitate access and manipulation, the control panel can be mounted in two positions:



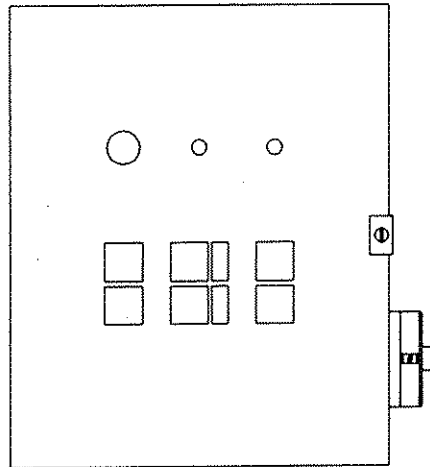
1. On the angle brackets aligned to the tower.



2. With the position bar (installed between upper angles), control panel can be rotated forward/to the side. (additional screw is attached to the tower's foot)

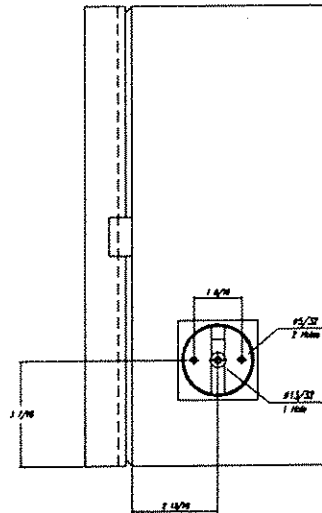
CONTROL PANEL MOUNT TWO POSITIONS

FRONT VIEW



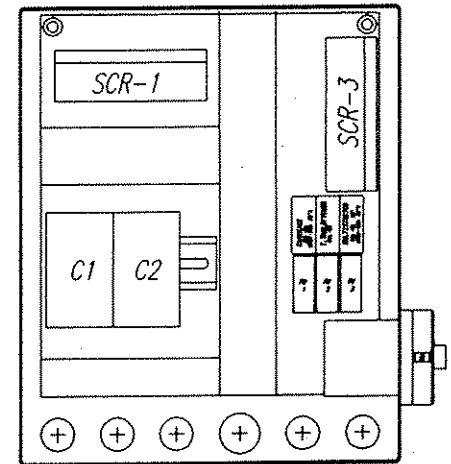
HL77-12 (STANDARD)
RAYTRON PANEL STICKER
(PANEL 5412 ESCH121006)

SIDE VIEW



SIDE VIEW
MAIN SWITCH & STUD
LOCATIONS

INTERIOR VIEW
PANEL PLATE



HL77-12 (STD) PANEL LAYOUT
PANEL SIZE 12x10x05


NOTES:

- 1: SCR-2 (168-A) IS LOCATED ON ENCLOSURE DOOR
- 2: FU-2 & FU-3
MDL-8A (20" CARRIAGE)
MDL-10A (30" CARRIAGE OR HEAVY FILM GAUGE UPGRADE)
- 3: BOARD SCR-3
336-9 (20" CARRIAGE)
336-7 (30" CARRIAGE OR HEAVY FILM GAUGE UPGRADE)

<p>ORION PACKAGING INC. 2270 INDUSTRIAL BOUL. LAMAR CLEVELAND, OHIO 44119 TEL: (314) 967-8700</p>	<p>ORION PACKAGING INC. ORION, OHIO 44119</p>		
	<p>301 265/L</p>		
	<p>DATE: APR-13-1987</p>	<p>REVISION: 177-12-00</p>	<p>SHEET: 1 OF 1</p>
	<p>SCALE:</p>		

TM
series


STOP




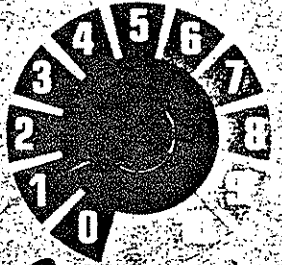
PAUSE




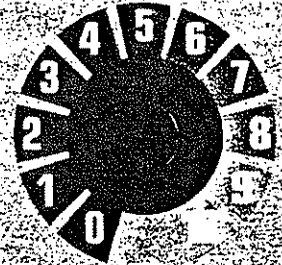
RESET



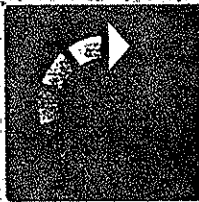
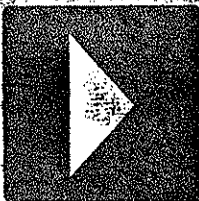
FILM TENSION



CARRIAGE SPEED



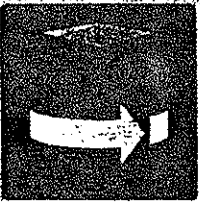
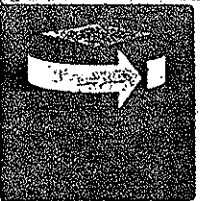
START



TURNTABLE JOG

WRAP COUNTER

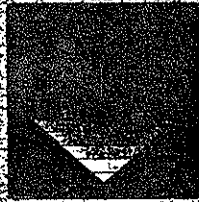
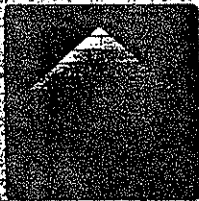
TOP



BOTTOM

CARRIAGE JOG

RAISE



LOWER



ORION®

ANYTHING LESS IS A GAMBLE

CYCLE CONTROLS

The control panel layout is custom designed for each particular installation, however, common standard controls have been employed.

CAUTION: before proceeding be familiar with the EMERGENCY button and all functions, switches and pushbuttons.

POWER SWITCH

The Power Switch has two settings:

ON - connects a power source to the machine (voltage depends on the machine type - see electrical diagram provided with the machine).

OFF - disconnects the power source.

START AND STOP SWITCHES (EMERGENCY STOP)

The **START** switch is used to start the cycle once the load is on the turntable (or under the rotary arm). The cycle may be stopped at anytime by pressing the **STOP** button.

NOTICE: In case of emergency, use the **STOP** button which interrupts all the machine electrical circuits (except multistretch drive). If the **STOP** pushbutton is pressed in the middle of the cycle, the carriage and turntable may be returned to their home position by using the jog buttons before restarting the cycle.

SPIRAL WRAP SWITCH

The **SPIRAL WRAP** switch has two positions:

UP - in this position the cycle will end after completing the specified number of top wraps, therefore, the machine will only wrap the load once, going up.

UP/DOWN - in this position the cycle will be completed after the load is wrapped in both the up and down directions.

NOTE: TOP WRAP FIRST (OPTIONAL)

The carriage raises faster at the beginning of the cycle to wrap the top of the load (see electrical diagram provided with the machine).

CARRIAGE CONTROL SWITCH

The CARRIAGE CONTROL switch is a three position switch with the following settings:

RAISE - raises the carriage until the top limit switch on the tower is activated.

LOWER - lowers the carriage until the bottom limit switch on the tower is attained.

The switch is normally positioned in the middle where the carriage remains stationary. Turning the switch to the RAISE or LOWER will activate the carriage to move in its respective direction.

TURNTABLE (ROTARY TOWER) JOG

The turntable (rotary tower) jog switch is a pushbutton which will rotate the turntable (rotary arm) in a clockwise direction (as viewed from the top) when the switch is held depressed. When the switch is released the turntable (rotary tower) will stop. The switch is inoperative during the wrap cycle.

PHOTOCELL SWITCH

The photocell switch has two settings:

ON - when turned ON, the photocell instructs the carriage to stop and begin the top wraps sequence once the top of the load is reached. The carriage will always stop at the top of the load regardless of its height. The photoswitch position on the track can be adjusted in order to make the carriage pass the top of the load and overlap the top.

OFF - when turned OFF, the photocell is inoperative and the carriage will stop when the top limit switch has been activated.

FILM TENSION

Film tension may be adjusted using the film tension control knob. It has a range of tension from 0 to 10 (0 to 4 the low range, 4 to 8 the most usefull range for most of the films used by our customers, 8 to 10 as a very high range which may break some films).

NOTE: Lighter loads may require lower tension settings then heavier loads.

Film tension is controlled through the dancer bar system. Occasionally the feed back proximity sensor may need some adjustment. Adjustment of feed back is shown on drawing # 001

Adjustment instructions:

- remove the carriage cover
- unbolt the two nuts holding the proximity switch -item # 1
- turn the proximity switch - item # 2 until the moment when the motor starts to turn (or hums)
- tighten on the nuts securing the proximity switch.

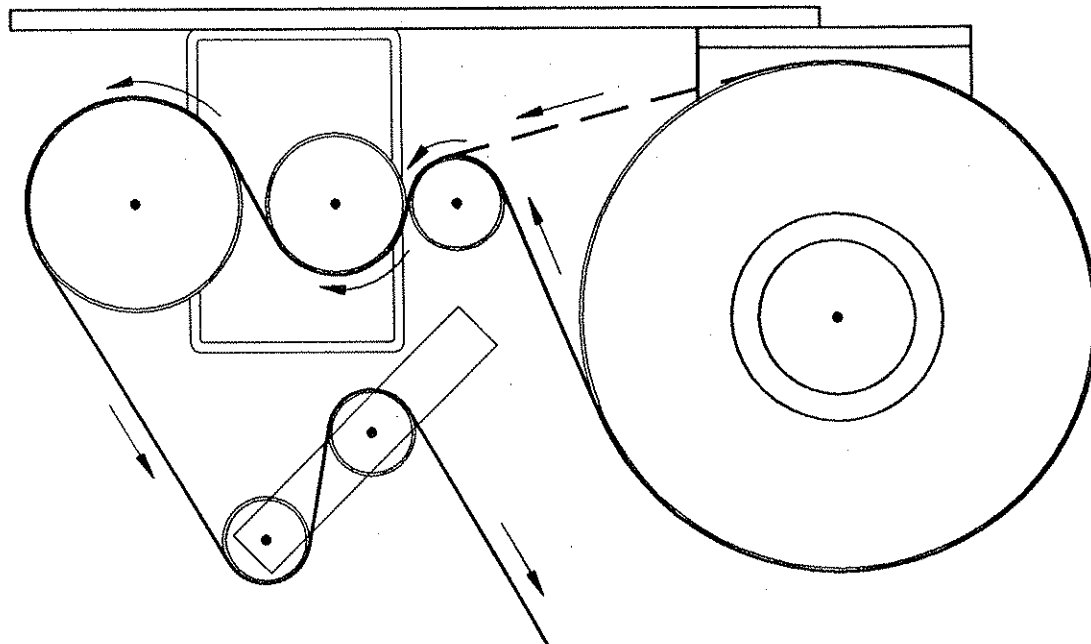
NOTE: The condition in which the motor hums but does not turn must be maintained even after all elements are tightened. If not, the adjustment procedure must be repeated.

TO LOAD THE FILM....

The film roll can be loaded on the mandrel of the carriage from either end of the roll. When using tacky film, please verify that the inward tacky surface of the film is inward on the load.

1. Disconnect power (turn off power switch).
2. Put the roll of film on the mandrel and press down to insure penetration of spikes into the card board center of the film roll.
3. In the case of automatic machines, install the film cap on top of the roll to prevent upward movement.
4. Introduce the roping end of the film between the shafts of all rollers (as shown on the dwg.) and pull to pass it around all three rollers (pressure roller and both rubber rollers).
5. Pass the film between the two dancer (aluminium) rollers. (in certain applications the film has to be passed around one or two additional position aluminium rollers).
6. When the film feeding is completed - turn the power switch ON
7. Peel off the first few winds of the film (multistretch will run due to displacement of the dancer roller) and fix the film end onto the load or into the clamp mechanism (if machine is fully automatic).

The system is now ready to begin the first wrapping cycle.
Proceed to page titled SYSTEM START UP.



WARNING:

DISCONNECT POWER BEFORE FEEDING FILM

**FILM FEEDING PATTERN
FOR STANDARD CARRIAGE**

SYSTEM START-UP

Notice: It is advisable to test-run the equipment with several pallet loads before make the attempt to wrap with film. Please position a worker at the EMERGENCY STOP push button.

Start up of the machine (system) may determine the need for the adjustment of:

- pallet sensor eyes (automatic systems only)
- load height stop photoswitch (on the carriage)
- conveyor acceleration/deceleration
- turntable speed & jog speed
- turntable speed acceleration/deceleration
- turntable home position (rotary tower home position)
- film tail treatment devices (automatic systems).

MACHINE WRAPPING TEST

Before the test procedure adjust the wrapping cycle parameters i.e. top wraps, bottom wraps, height photocell on/off, film tension, carriage speed (those two parameters may be adjusted during the wrapping cycle).

When there is no photocell, verify the top limit switch position.

MACHINE MAINTENANCE

REDUCER OIL CHANGE

On the reducing transmission, after the first week all external cap screws and plugs should be checked for tightness. It is recommended to change the oil every six months or 25000 hours of operation, whichever ever comes first. When adding oil, the transmission should never be filled above the oil level mark indicated, because leakage and overheating may occur. Below is a list of the type of lubricant that should be used:

Manufacturer	Lubricant
American Oil CO.	American Cyl Oil no:196-L
Cities Service Oil Co.	Citgo Cyl.Oil 100-5
Gulf Oil Corp.	Gulf Senate 155
Mobil Oil Corp.	Mobil 600 W Suerr Cyl.Oil
Philips Oil Co.	Andes S 180
Texaco Inc.	624+650T Cyl.Oil
Shell Oil Co.	Velvata Oil J82
Union Oil Of Cal.	Red Line Worm Gear Lube 140

MOTOR MAINTENANCE

An occasional inspection of the brushes should be made in order to establish a wear rate. Replacement brushes should be installed before old brushes wear to 9/16" long, measured on the long side. After replacing brushes run the motor near rated speed for at least 1/2 hour with no load to seat the new brushes.

Failure to properly seat the new brushes may cause commutator damage and rapid wear of the new brushes. If the commutator becomes rough, scored or out of shape, a competent motor shop should disassemble the motor and resurface the commutator. With every third brush change, have a competent motor shop resurface the commutator and blow the carbon dust out of the motor.

CHAIN MAINTENANCE

To clean the chain, wipe it with an oily cloth every month. If the environment is very dusty or damp, it may be necessary to clean it more often.

With time the chain will tend to stretch. A loose elevator and turntable (rotary arm) chain should be tightened at the chain tensioner, or by moving the reducer on the mounting plate.

CAM FOLLOWER MAINTENANCE

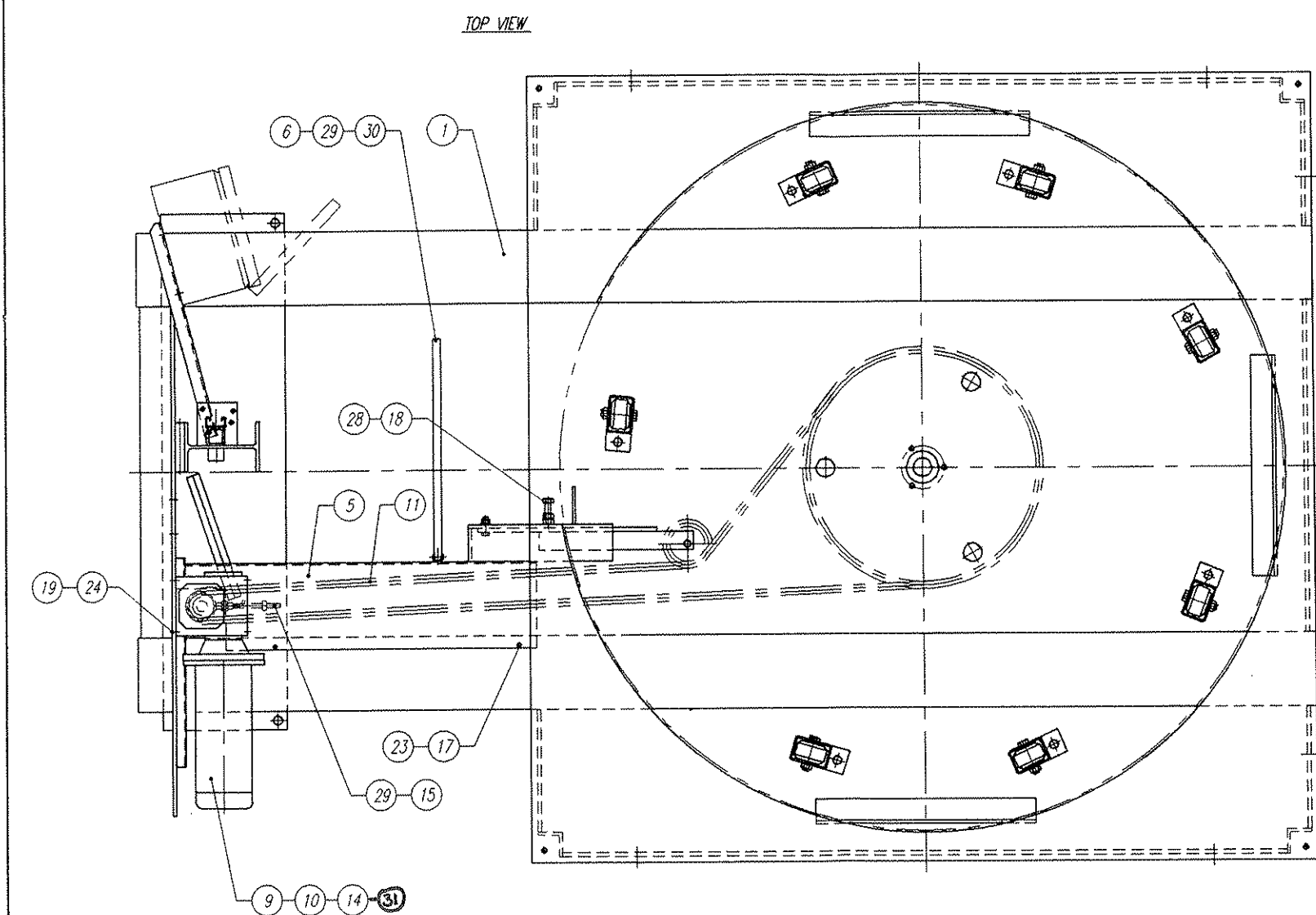
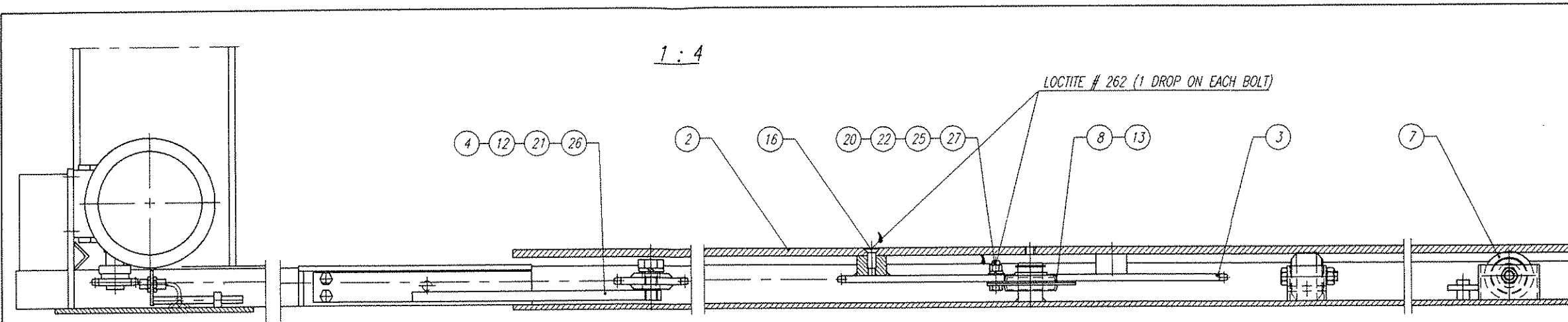
The cam followers behind the carriage have deep grease pockets and do not need frequent relubrication. The portion of the tower on which the cam followers run, should be cleaned and regreased every 300 hours of operation. If the machine operates in a dusty or corrosive environment the tower should be relubricated more often.

**SEMI-AUTOMATIC
STANDARD ASSEMBLY
PART LIST**

Note :

*** Quantity listed in order of part number**

**** The names given to the parts are generic**

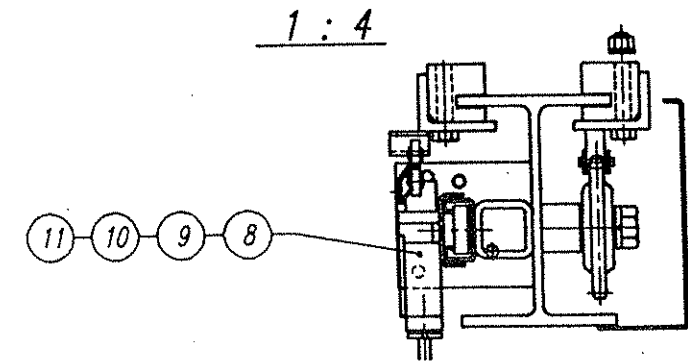
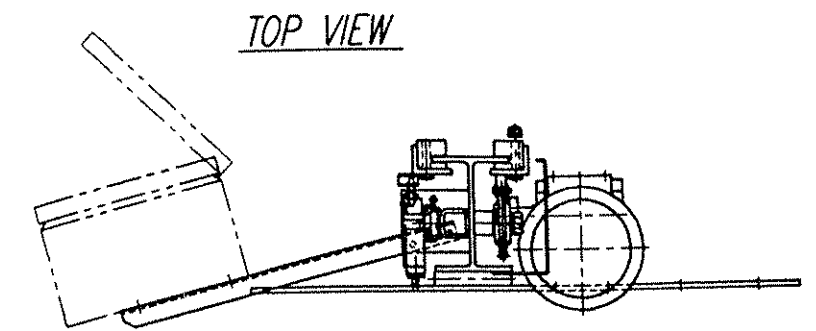
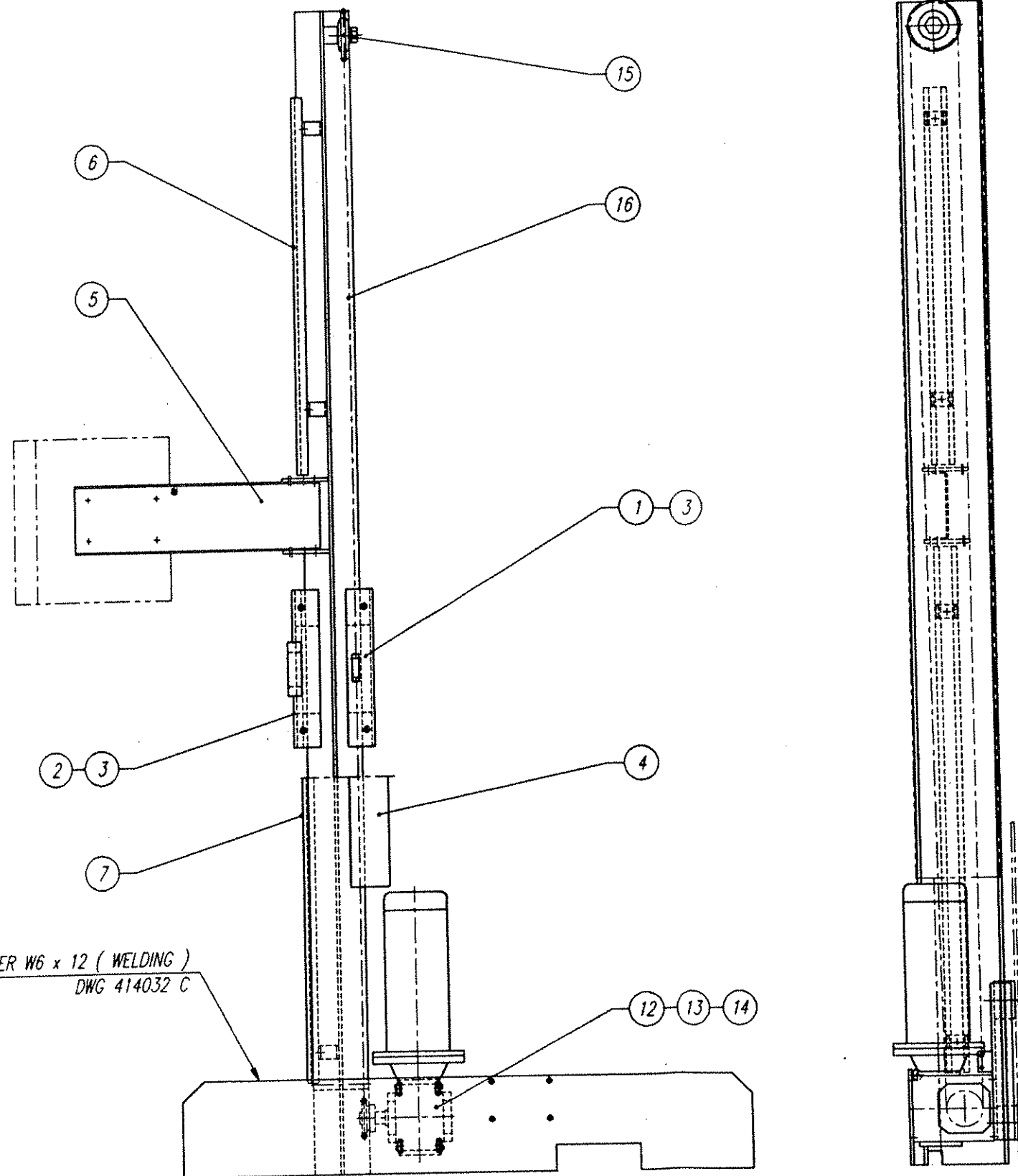


31 TURNABLE DRIVE MOTOR COVER B 416972 1

30	HEX. NUT	013407	2	
29	HEX. HEAD SCREW	014157	2	
28	HEX. NUT	011128	1	
27	HEX. NUT	011128	4	
26	SPRING WASHER	012721	1	
25	SPRING WASHER	011390	3	
24	SPRING WASHER	012724	4	
23	SPRING WASHER	011393	2	
22	FLAT WASHER	010948	3	
21	HEX HEAD SCREW	010329	1	
20	HEX HEAD SCREW	012406	3	
19	HEX HEAD SCREW	010291	4	
18	HEX HEAD SCREW	014158	1	
17	PAN PHILL SCREW	012049	2	
16	FLAT SOCKET SCREW	013842	3	
15	PROXIMITY SWITCH	-	1	
14	EL. MOTOR	010036	1	
13	STAMP HOUSING FLANGE BEARING	013654	1	
12	IDLER SPROCKET	010008	1	
11	CHAIN	010009	1	
10	SPROCKET	010074	1	
9	REDUCER	010093	1	
8	EXTERNAL RETAINING RING	013655	1	
7	"DURA-GLIDE" CASTER 2.4" DIA. - ASSEMBLY	A 413850	7	416055
6	ROPING BAR	A 413868	1	
5	CHAIN GUARD - WITH ROPING BAR HOLDER	B 414789	1	
4	CHAIN TIGHTENER ARM	A 411977	1	
3	SPROCKET	A 406338	1	
2	59" DIA. TURNABLE DISK (REVOLOGIC)	B 412291	1	
1	L77/12S BASE-WELDING	C 414786	1	
No.	DESCRIPTION	DWG SIZE	PART No.	Q'ty WEIGHT
REMARKS: 12 RPM, SPROCKETS 50B10/50A96, REDUCER ASS'Y-3				
REMARKS: REVOLOGIC				

L77/12S BASE ASSEMBLY WITH "DURA-GLIDE" CASTERS

	DATE: JAN. 20/1997	SCALE: 1 : 8
ORION PACKAGING INC. 2270 INDUSTRIEL, LAVAL QUEBEC, CANADA, H7S 1P9 TEL.: (514) 667-9789	DRAWN BY: G. STACHURA	MACHINE TYPE: L77/12S
ASSEMBLY DWG:	CHECKED BY:	DRAWING SIZE: C
	JOB No.: STD	DRAWING No.: 414785



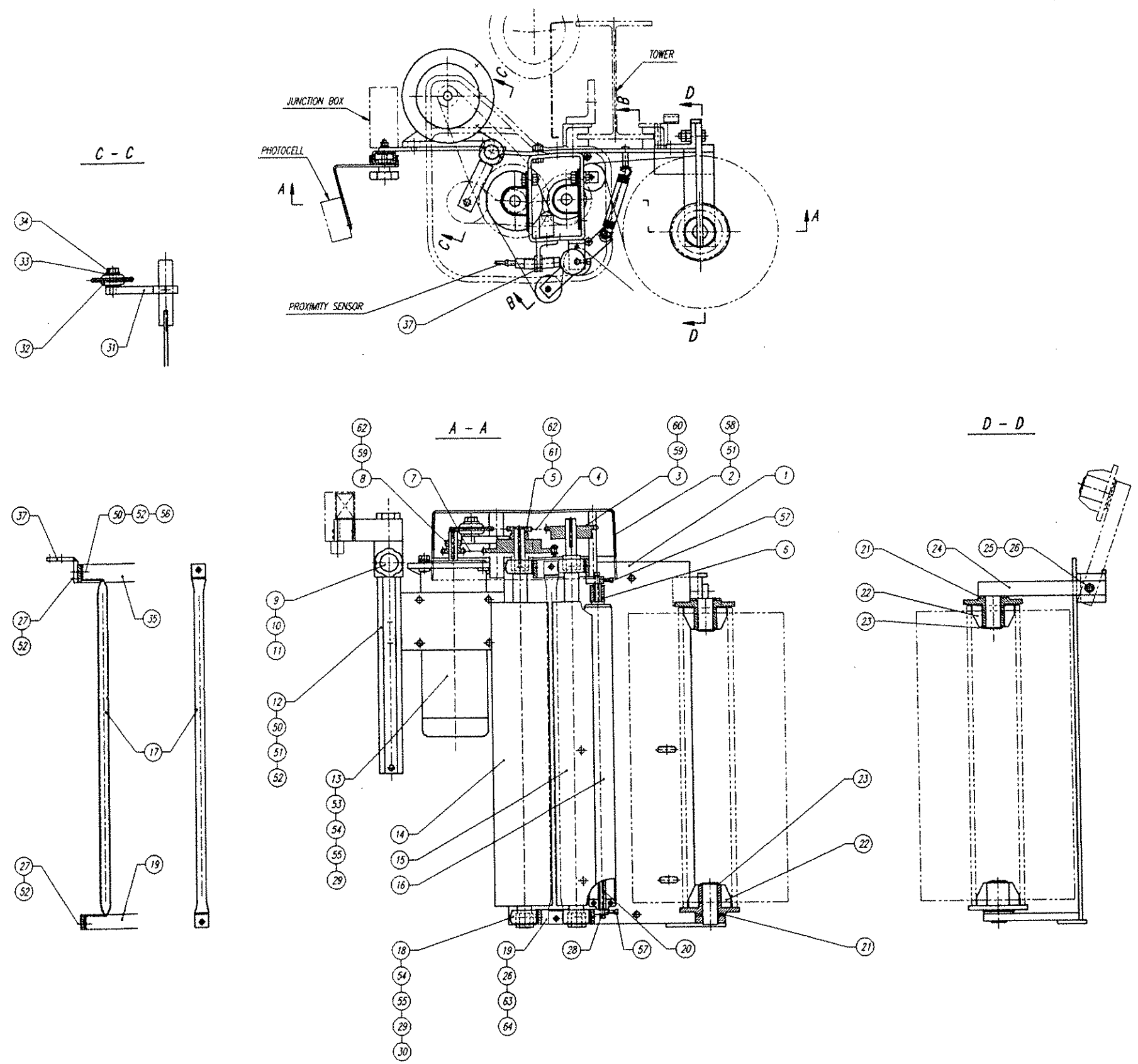
16	CHAIN		413897	1	
15	IDLER SPROCKET		010008	1	
14	SPROCKET		010094	1	
13	EL. MOTOR		010036	1	
12	REDUCER		010344	1	
11	LIMIT SWITCH		-	2	
10	HEX. HEAD SCREW		010293	2	
9	CHANNEL GUIDE	A	220518	2	
8	LIMIT SWITCH HOLDER	A	260816	2	
7	LIMIT SWITCH BOTTOM CHANNEL	A	413971	1	
6	LIMIT SWITCH TOP CHANNEL	A	413971	1	
5	ELECTRICAL PANEL BRACKET	A	413898	1	
4	TOWER CHAIN GUARD	A	415887	409046	1
3	SLIDE BLOCK (W6 x 12)	A	409341	4	
2	SLIDE BLOCK ALIGNING ANGLE	A	408190	1	
1	FILM CARRIAGE ATTACHMENT - W6 x 12 TOWER	B	409045	1	
No.	DESCRIPTION	DWG SIZE	PART No.	Q'ty	WEIGHT

REMARKS: LIMIT SWITCHES ON CHANNEL PS-500

REMARKS: -

TOWER W6 x 12 (ASSEMBLY)

<p>ORION PACKAGING INC. 2270 INDUSTRIEL, LAVAL QUEBEC, CANADA, H7S 1P9 TEL.: (514) 687-9769</p>	DATE:	NOV-06-1996	SCALE:	1:8	
	DRAWN BY:	M. W. SOBUCKI	MACHINE TYPE:	L77,78/12	
	CHECKED BY:		DRAWING SIZE:	C	
	ASSEMBLY DWG:		JOB No.:	STD	DRAWING No.:



64	SPRING WASHER	011390	6
63	HEX. HEAD SCREW	010293	6
62	SET SCREW	012800	2
61	SQ. KEY	010295	1
60	SET SCREW	012805	2
59	SQ. KEY	010295	2
58	ROUND HEAD SCREW	012049	3
57	HEX-SOCKET CAP SCREW	13464	2
56	HEX HEAD SCREW	010277	1
55	FLAT WASHER	012725	12
54	SPRING WASHER	012724	12
53	HEX HEAD SCREW	012757	4
52	FLAT WASHER	012221	6
51	SPRING WASHER	011393	5
50	HEX NUT	012689	3
49	CLEVIS PIN	401375	2
48	EXTENSION SPRING	B 403118	2
47	FLAT WASHER	010948	4
46	CLEVIS PIN	401374	2
45	PLASTIC HOUSE	010946	2
44	SHOULDER SCREW	011423	2
43	FL. BRONZE BUSHING	010058	2
42	SOCKET HEAD CAP SCREW	010257	3
41	SOCKET HEAD CAP SCREW	010259	2
40	DANCER ROLLER SHAFT - 20	A 402792	1
39	DANCER LEVER SHAFT - 20	A 402793	1
38	DANCER ROLLER LEVER (R.H. & L.H.)	A 401358	2
37	PROXIMITY SENSOR BRACKET	A 230647	1
36	PROXIMITY SENSOR CAM	A 230648	1
35	TOP BRACKET	B 410158	1
34	HEX HEAD SCREW	012482	1
33	FLAT WASHER	012584	2
32	IDLER SPROCKET	011297	1
31	CHAIN TENSIONER	A 401357	1
30	HEX HEAD SCREW	010291	8
29	HEX NUT	012751	12
28	HEX HEAD SCREW	012475	2
27	HEX HEAD SCREW	012722	2
26	HEX NUT	011128	6
25	HEX HEAD SCREW	010322	1
24	TOP MANDREL	A 411474	1
23	RETAINING RING	013860	2
22	SPROCK	A 405855	2
21	FLAT WASHER	012323	2
20	SNUB ROLLER SHAFT - 20	A 402794	1
19	BOTTOM BRACKET	B 410159	1
18	PILLOW BLOCK	010427	4
17	SAFETY BAR - 20	A 403449	1
16	ALUMINUM ROLLER - 20	A 402789	3
15	RUBBER ROLLER # 2 3/4 - 20	B 408857	1
14	RUBBER ROLLER # 4 1/8" - 20	B 403555	1
13	EL MOTOR	010036	1
12	PHOTOCELL CHANNEL - 20	A 409628	1
11	BLACK KNOB	010092	1
10	CHANNEL GUIDE	A 220518	1
9	PHOTOCELL BRACKET	A 230721	1
8	DRIVE SPROCKET	013250	1
7	CHAIN	010583	1
6	PLASTIC TUBE SPACER	A 402822	1
5	SPROCKET-SPROCKET ASS'Y	A 405052	1
4	CHAIN	010583	1
3	DRIVE SPROCKET	011454	1
2	FIBERGLASS COVER	B 404935	1
1	BACK PLATE - 20" STD (WB x 18 TOWER)	B 411435	1
No.	DESCRIPTION	QTY	WEIGHT

20" OMNISTRETCH CARRIAGE ASS'Y/12
 DATE: NOV. 12/1996 SCALE: 1 : 4
 DRAWN BY: G. STACHURA MACHINE TYPE:
 CHECKED BY: DRAWING SIZE: D
 JOB No.: STD /12 DRAWING No.: 413967

ORION
 PACKAGING INC.
 2270 INDUSTRIAL LANE
 OAKBEE, CANADA, M7S 1P9
 TEL.: (514) 667-9766

TURNTABLE & TOWER MOTOR CONTROL BOARD ADJUSTMENTS

66 & 55 SERIES EQUIPMENT (850M & 850DM Board)

INTRODUCTION

The 850M and 850 DM Motor Control Boards are DC/SCR drives that are used in 66 & 55 series Orion stretch wrapping equipment. The following calibration instructions apply to all 66 & 55 series turntable and rotary tower type machinery, but it will be important to note specific reference to your particular Orion model for best calibration results.

The 850M and 850DM boards feature two selectable pre-set speeds (1 & 2), and four potentiometers (marked 1,2,A and D).

The instructions are in the suggested order of adjustment, and intended to be made after installation of the board in the control enclosure. Please refer to the attached sketch of the board for identification of the adjustment points.

INSTALLATION

This unit is equipped with an aluminum chassis, which serves as a heatsink. This should be oriented with the printed circuit board in a vertical plane for optimum convection cooling.

Connectors are to .250" quick-disconnect terminals. Standard units require 120 VAC supply. AC line attaches to terminals **AC1**, **AC2**. Motor Armature attaches to terminals **DC+**, **DC-**. The standard unit is suitable for permanent magnet shunt style DC motors with 90 V armature rating.

ADJUSTMENTS

Acceleration: (RV3) The pot marked **A** is the control for the acceleration or electronic soft start feature.

For an initial setting, turn the **A** pot fully counter-clockwise (CCW) until a faint “clicking” sound is heard, then approximately 2 turns (or revolutions) clockwise (CW). CW adjustment of this potentiometer softens the start and lengthens the time required for the turntable/tower to reach its preset speed.

Speed Control: (RV1) The pot marked **1** controls the turntable/tower jog speed₁.

Simply activate the turntable/tower jog function, adjusting the jog speed (pot 1) as the turntable/tower rotates. This should be set for approximately 2 to 3 RPM. Please note that this setting should be made with a load on the turntable (turntable type models only). A CW turn increases the jog speed, while CCW decreases jog speed.

Speed Control: (RV2) The pot marked **2** is the control for the high speed₂ for the turntable/tower during the wrap cycle once acceleration is complete.

This speed can be as high as 12 RPM. However, you should note that if it is set too high, you may see chopping of the current to the turntable/tower drive motor which will cause pulsating, half-speed operation of the turntable/tower drive itself. If this is seen, please decrease the setting of pot **2**, until it is no longer in effect.

For best calibration results, it is recommended that you make this adjustment while the machine is in cycle. After starting a wrap cycle, set the film carriage speed control to the “0” (minimum) position. This will prevent the film carriage from rising and completing its cycle. Then simply adjust the high speed (pot **2**) as the turntable/tower rotates. A CW turn increases speed, a CCW turn decreases speed.

1 Speed Control 1 = Turntable/Tower Jog Speed
Selected by a 120 VAC signal applied from terminal (1) to (C)

2 Speed Control 2 = Turntable/Tower High Speed
Selected by a 120 VAC signal applied from terminal (2) to (C)

Deceleration: (RV4) The pot marked **D** is the deceleration control. Functionally, it is the opposite of acceleration, except that it is a more critical setting, in that our machine logic requires that we decelerate from speed 2 to speed 1 during the course of the final revolution of the turntable/tower before shutoff.

For an initial setting, start with the **D** pot set fully CCW. Then, cycling the machine; observe the transition to jog speed at the end of the cycle, prior to the stop of the turntable/tower at the home position. Gradually increase the **D** pot setting (CW) until the turntable/tower only jogs approximately 1/8 to 1/4 revolution before reaching home position. CW adjustment of this potentiometer quickens the stop and shortens the deceleration time required for the turntable/tower to settle to its preset jog speed. CCW softens the stop and lengthens the time required for the turntable/tower to settle to its preset jog speed.

Thus, the deceleration control is important in that if the deceleration time is too short, we will prematurely reach jog speed and jog an excessive amount of time to the home position before shutoff.

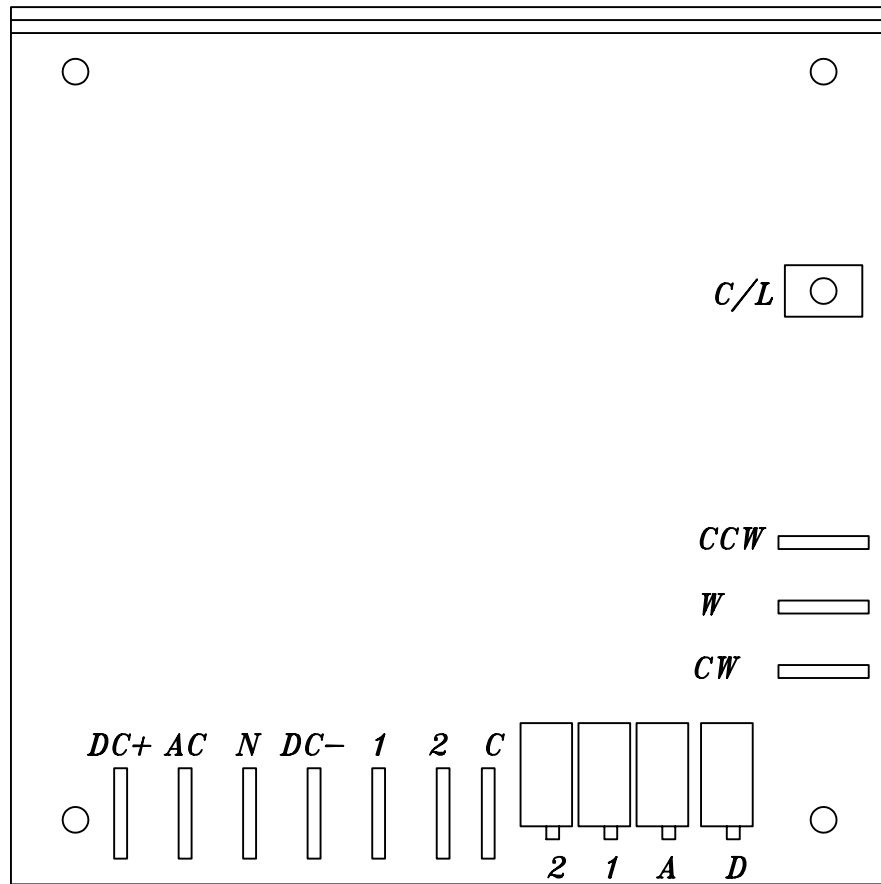
Conversely, if the deceleration time is set too long, the turntable/tower will not settle to the jog speed and thus will be going too fast to align properly and the momentum will take the turntable/tower beyond the start position. As you can imagine, any time the wrap speed is changed, you will need to make a corresponding change in the setting of the pot marked **D** (for deceleration).

Note: The 850DM requires a jumper from the **W** pin to the **CW** pin for speed 2 to operate.

TROUBLE SHOOTING & REPAIR

In most cases, repair will require parts replacement. If user intends to, and is equipped to perform repairs, spare parts are available from Orion Parts & Service.

Damage is usually visually evident on the 850M board. Replacing the obviously damaged board frequently restores operation. However, if damage is not evidently visible, swapping boards will determine if the board is at fault.



DC+: ARMATURE CONTROL.

AC: AC INPUT - LINE.

N: AC INPUT - NEUTRAL.

DC-: ARMATURE CONTROL.

1: CONTROL - LINE. JOG SPEED

2: CONTROL - LINE. WRAP SPEED

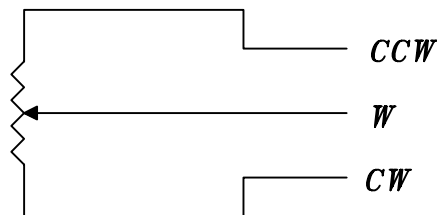
C: CONTROL - COMMON.
(REQUIRES A JUMPER TO "N")

MAX: MOTOR SPEED ADJUSTMENT.

ACC: ACCELERATION ADJUSTMENT.

C/L: CURRENT LIMITER.
(FACTORY SET)

NOTE: WHERE A REMOTE POT IS
NOT USED (CONVEYOR)
"W" & "CW" ARE SHORTED.



**850DM TWO SPEED 120VAC/90VDC
MOTOR CONTROL BOARD**

MULTISTRETCH 336-6/7/9 MOTOR CONTROL BOARD CALIBRATION INSTRUCTIONS

Bias: (RV3) The **RV3** pot controls the system bias.

This control injects an offset voltage that adds or subtracts from the voltage reference defined by the external tension adjustment (film tension potentiometer); this will allow extremes of adjustment to be set to levels consistent with proper operation. Typically, the bias will be used to center the operation range in the linear portion of its characteristics.

Note: This adjustment is normally factory pre-set and should not require field adjustment. For reference, the factory test procedure calls for a setting of 1.3 volts DC at the cathode of Z1 (Zener Diode) achieved by adjusting the **RV3** pot. Check for voltage between the (-IN) and the pin located next to the bias trim-pot.

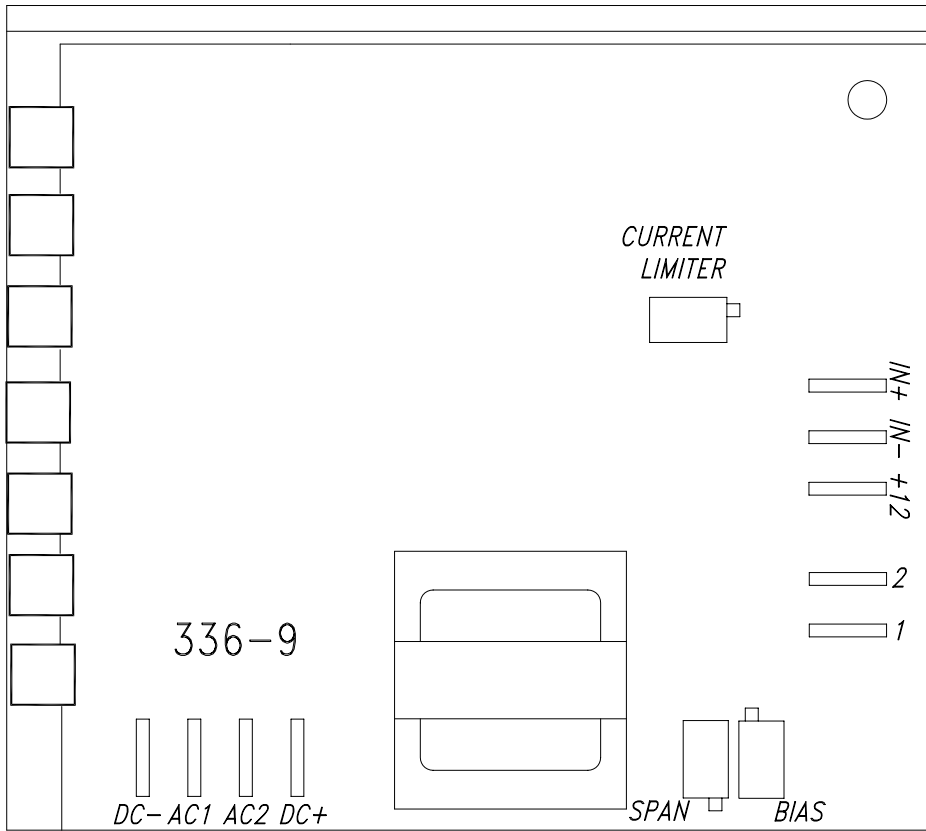
Span: (RV1) The **RV1** pot controls the systems loop gain.

The system loop gain may be adjusted if the motor continues to be energized when the dancer roller is unloaded and at rest. With the machine stopped, the pot should be adjusted to ensure that the motor is de-energized in this condition, and so that a light pull on the free end of the film causes the film to feed freely. Counter clockwise (CCW) adjustment of this pot will increase the response time, in effect softening the motor tension response plus decreasing the maximum motor speed attainable. Clockwise (CW) adjustment will decrease the response time, in effect sharpening the motor response time plus increasing the maximum motor speed attainable.

Current Limit: (RV4) The **RV4** pot controls the torque (amperage) that the 336 board will allow to the motor.

To protect the unit against damage should the motor stall, jam, or current demands exceed its rating, a current limiting circuit is included which keeps motor current at a safe level regardless of motor load or input from the Hall effect proximity switch.

This pot is factory pre-set to suit ½ HP motors. Should changes be required in the field, proceed as follows: Monitor the motor current. Turn the current limit **RV4** to minimum (full CCW). Stall the motor. Advance the pot slowly until the desired current is achieved. This should not exceed 125% of the motor nameplate rating. Do not stall the motor for more than a few seconds, or damage may occur.



DC+: ARMATURE CONTROL

AC1: AC INPUT

AC2: AC INPUT

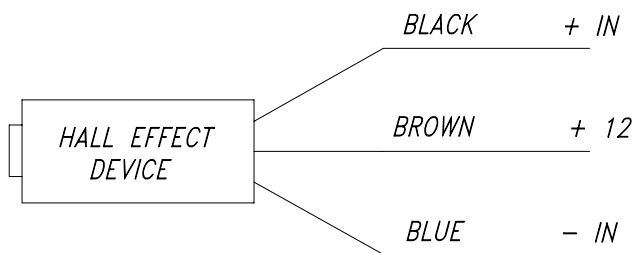
DC-: ARMATURE CONTROL

POTENTIOMETER

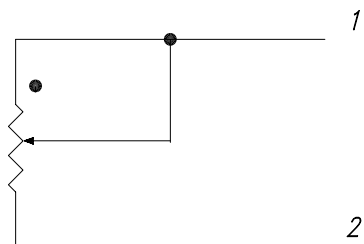
SPAN: HALL EFFECT SENSITIVITY CONTROL

BIAS: SYSTEM BIAS (FACTORY SET)

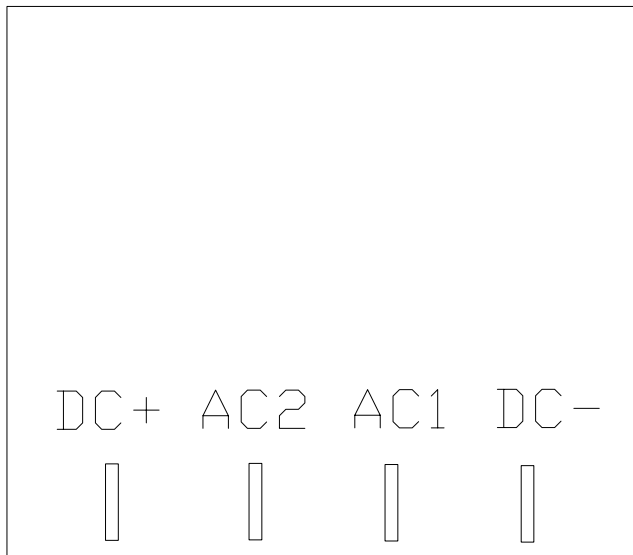
CURRENT LIMITER: (FACTORY SET)



*FILM TENSION ADJUSTMENT
REMOTE POTENTIOMETER*



336-9 MULTISTRETCH BOARD



DC - OUT

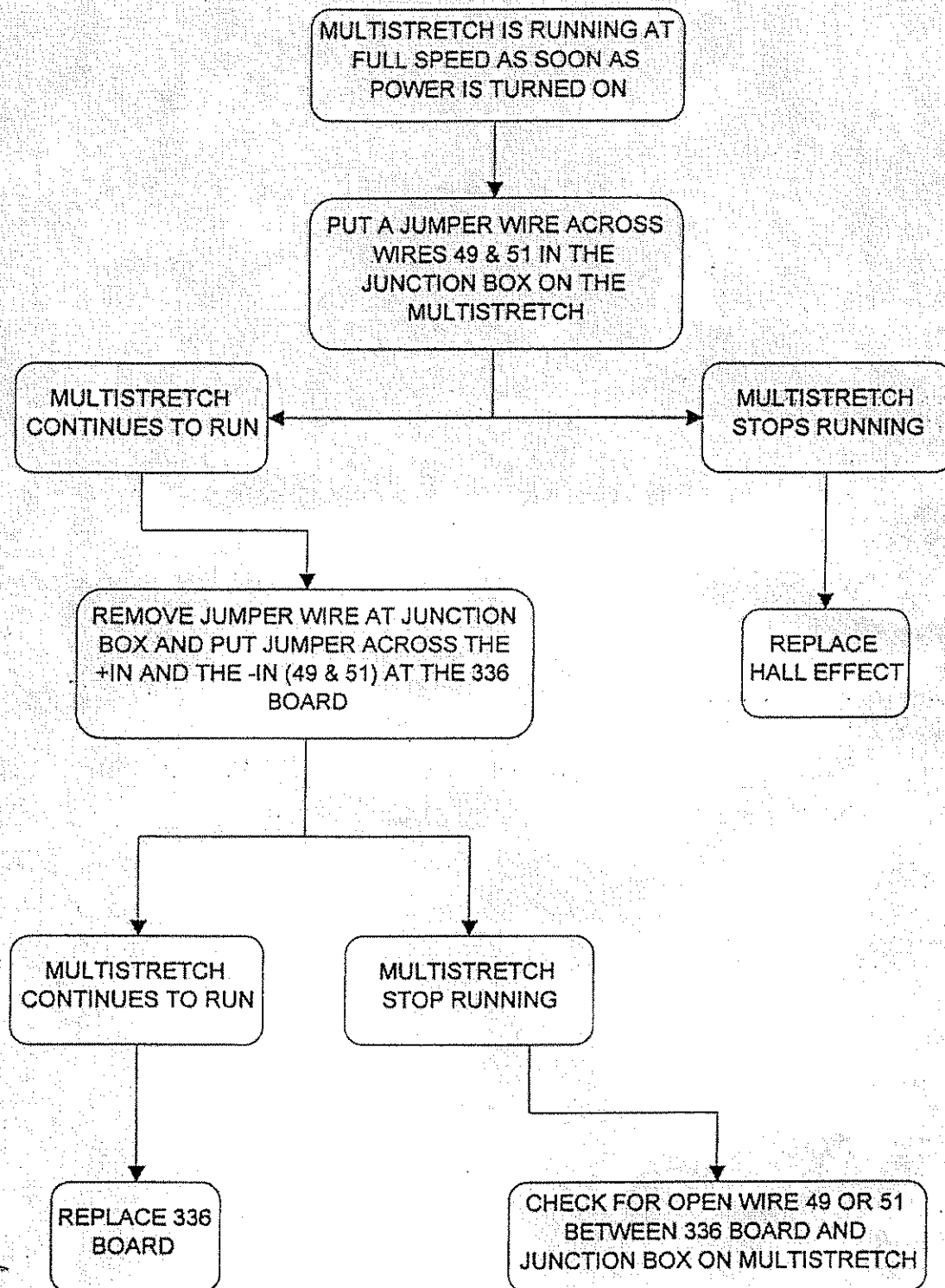
DC + OUT

AC2 IN

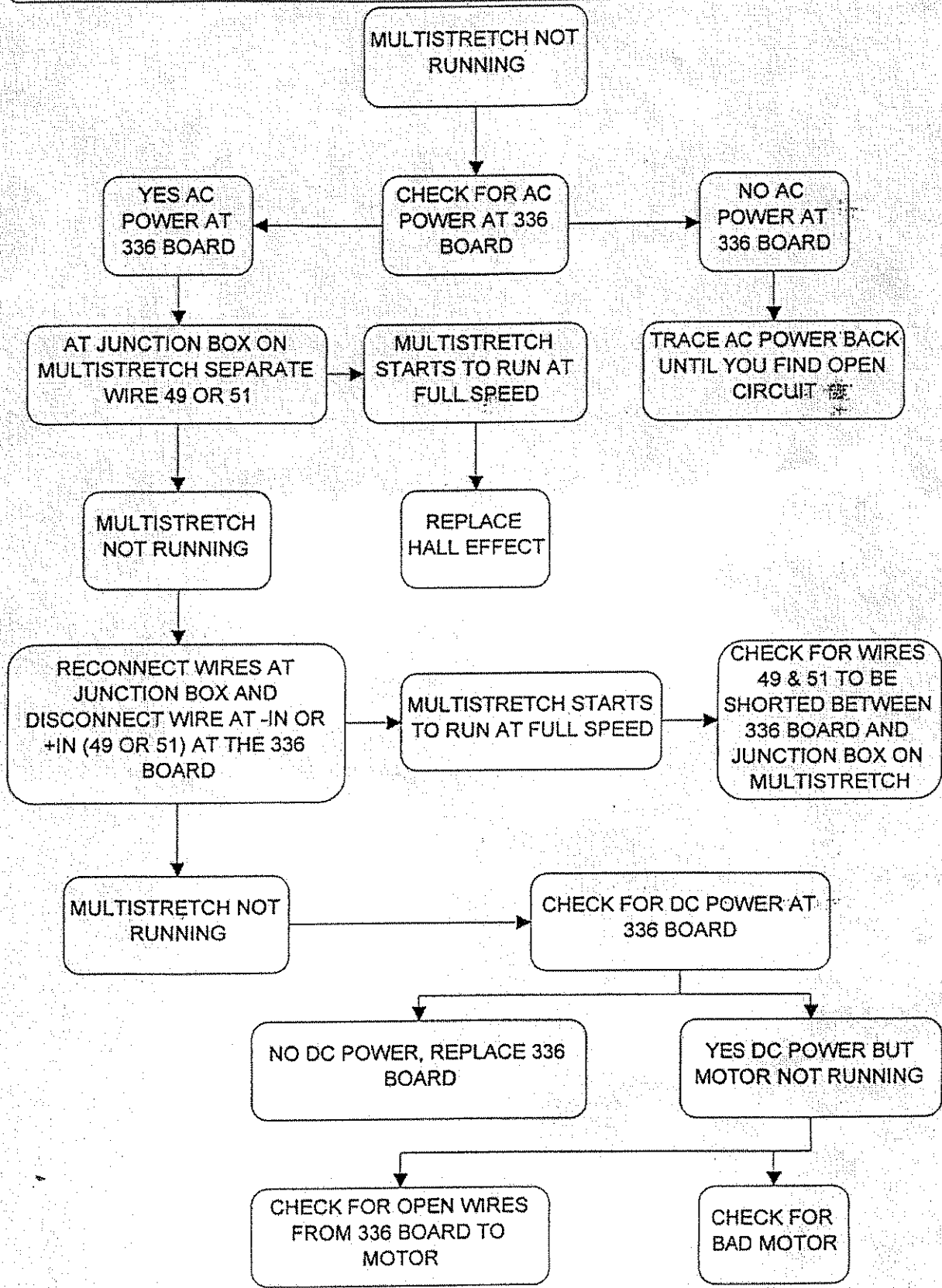
AC1 IN (NEUTRAL)

168-A CARRIAGE UP/DN
SINGLE SPEED BOARD

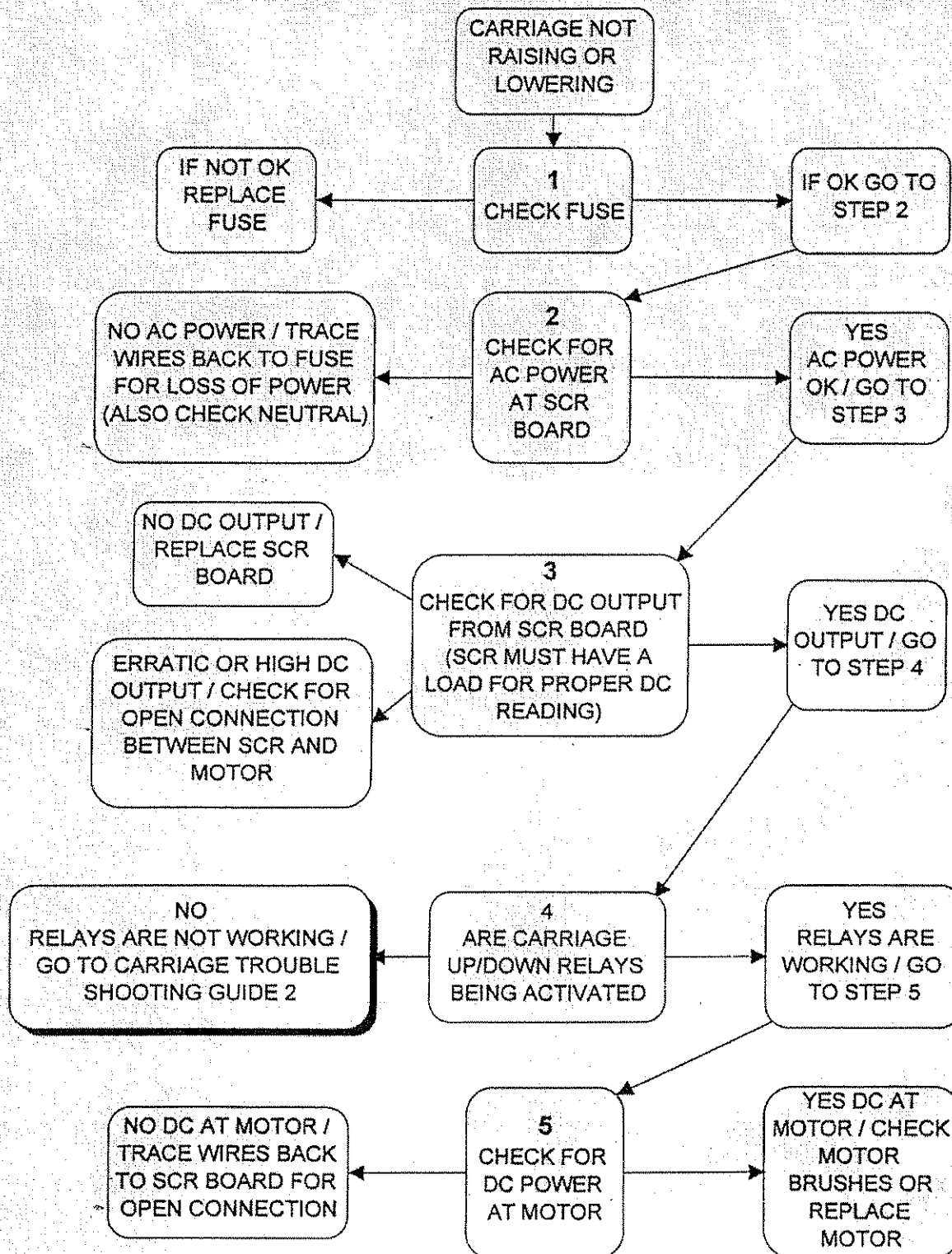
MULTISTRETCH TROUBLE SHOOTING GUIDE 1



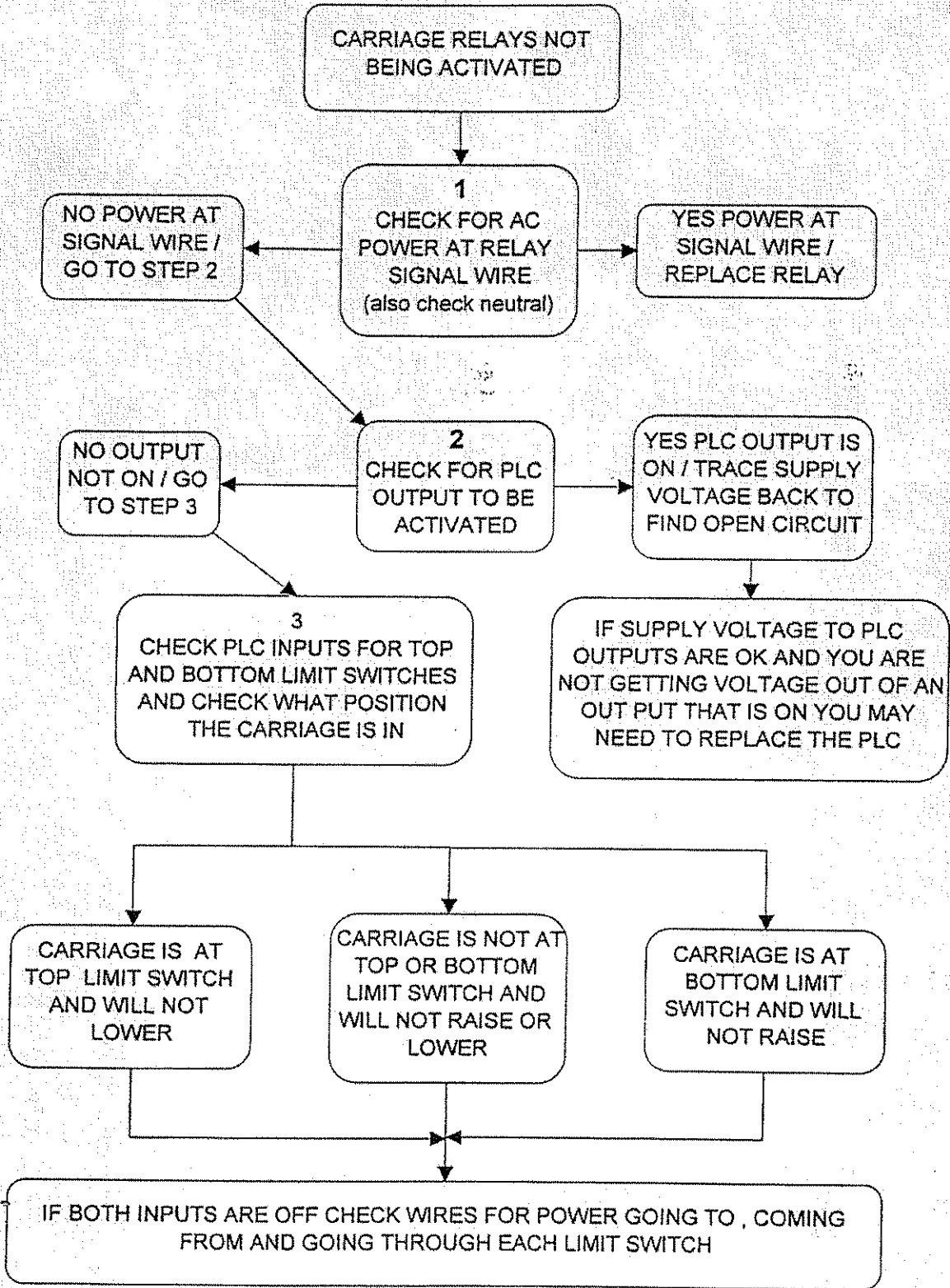
MULTISTRETCH TROUBLE SHOOTING GUIDE 2



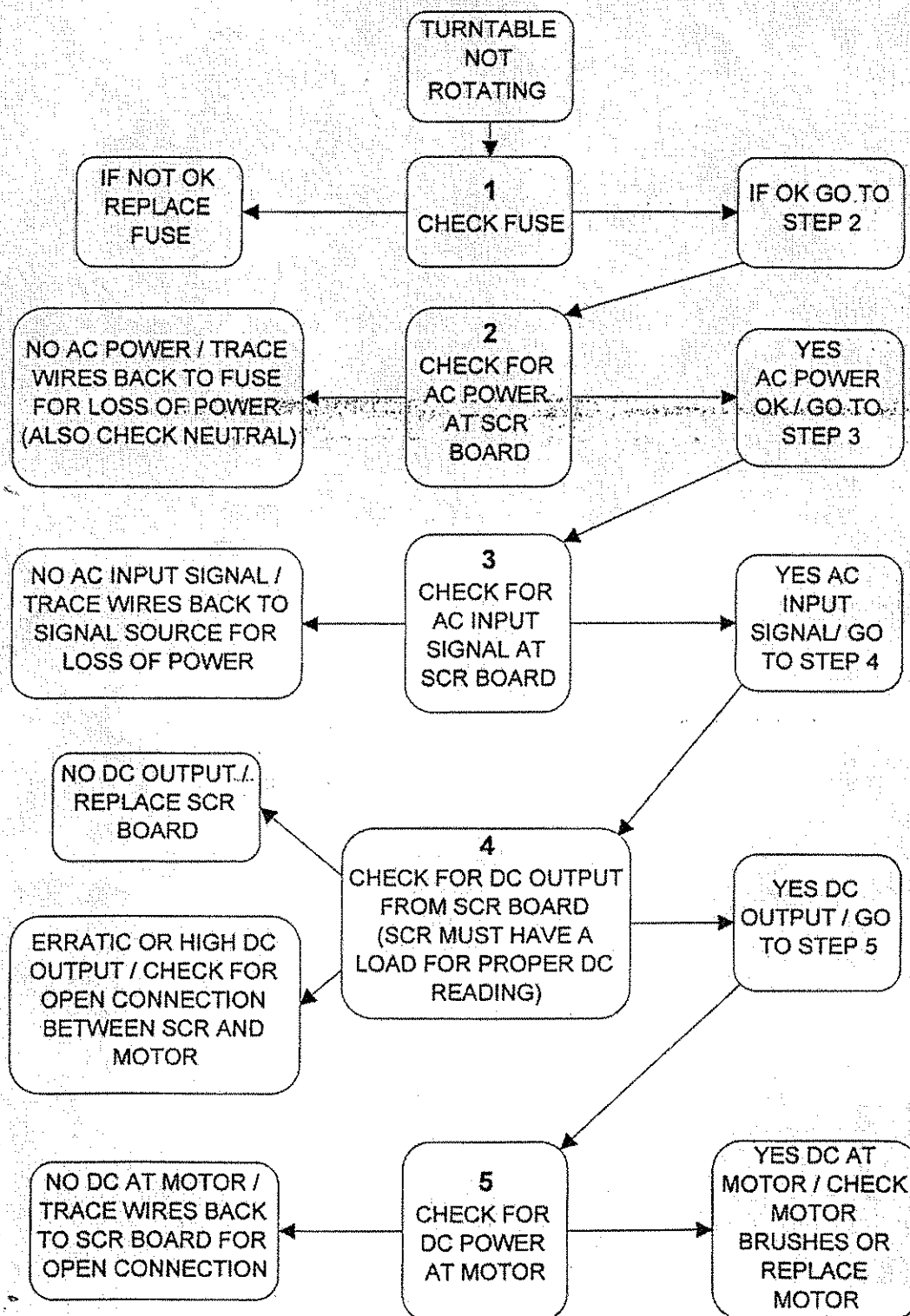
1 BASIC CARRIAGE RAISE / LOWER TROUBLE SHOOTING GUIDE



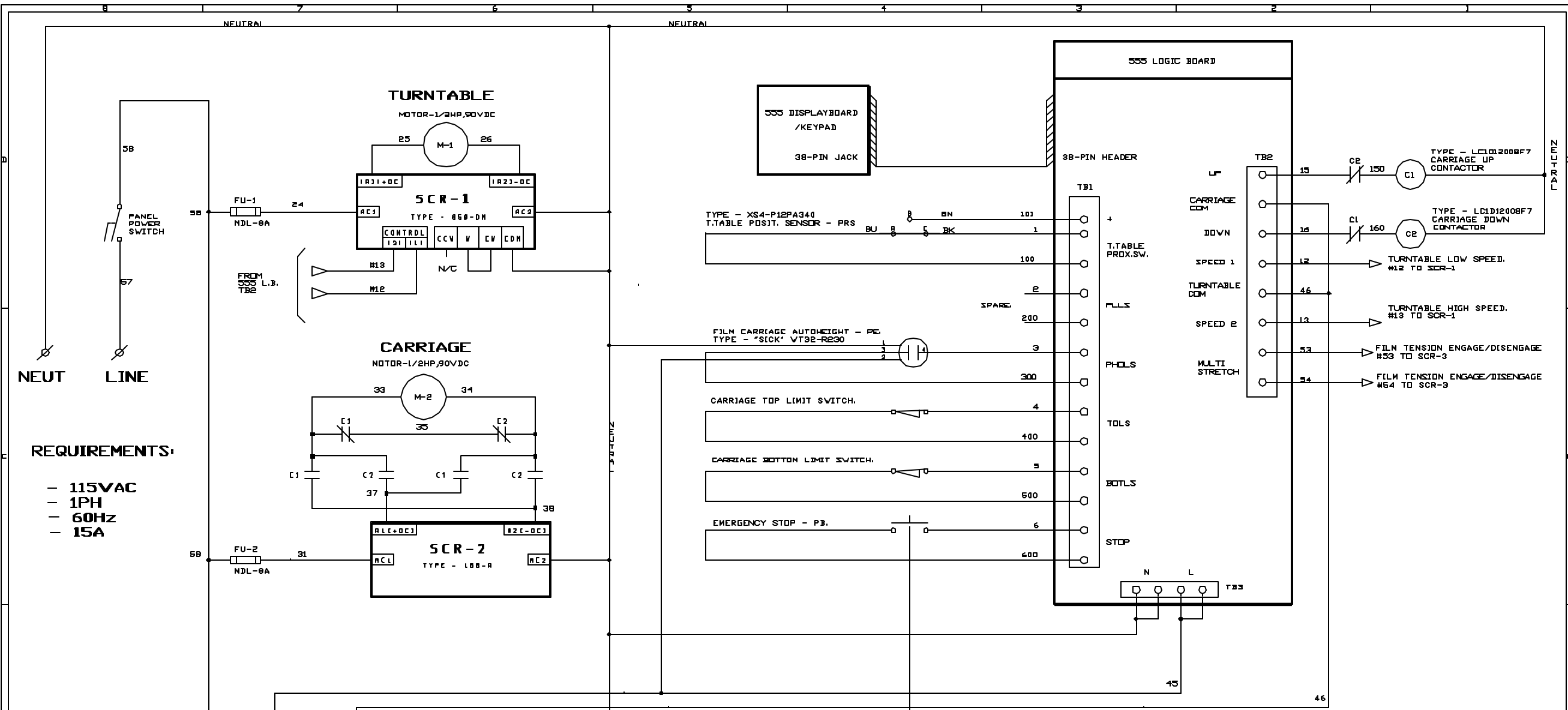
2 BASIC CARRIAGE RAISE / LOWER TROUBLE SHOOTING GUIDE



BASIC TURNTABLE TROUBLE SHOOTING GUIDE



- IF TURNTABLE RUNS AS SOON AS POWER IS TURNED ON THE MOTOR MAY HAVE AN INTERNAL SHORT TO GROUND.



REQUIREMENTS:

- 115VAC
- 1PH
- 60Hz
- 15A

NOTE:

- FUSES FU-2 AND FU-3:
 - NDL-8A (20" CARRIAGE)
 - NDL-10A (30" CARRIAGE OR HEAVY FILM GAUGE UPGRADE)
- BOARD SCR-3:
 - 336-9 (20" CARRIAGE)
 - 336-7 (30" CARRIAGE OR HEAVY FILM GAUGE UPGRADE)

ORION
PACKAGING INC. MONTREAL

PANEL SIZE 121005
STICKER "RAYTRON"

ORION PACKAGING INC.			
2270 INDUSTRIEL RD LAVAL QUE CANADA H7S 1P9 TEL (514) 667-9769 FAX (514) 667-6320 DKT BY L.R.S. DRAWN BY S.VIATKY			
TITLE		HL77-12	
SIZE	DOCUMENT NO.	JOB # STANDARD	REV
C		301 265	1
DATE	DIT-86-1006	SHEET	1 OF 1
FILENAME	HL77-12SCH	BASEL	